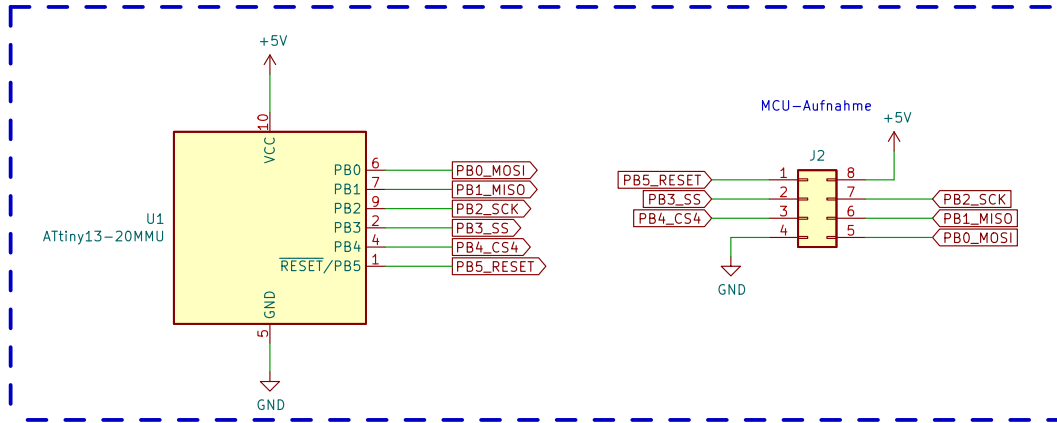
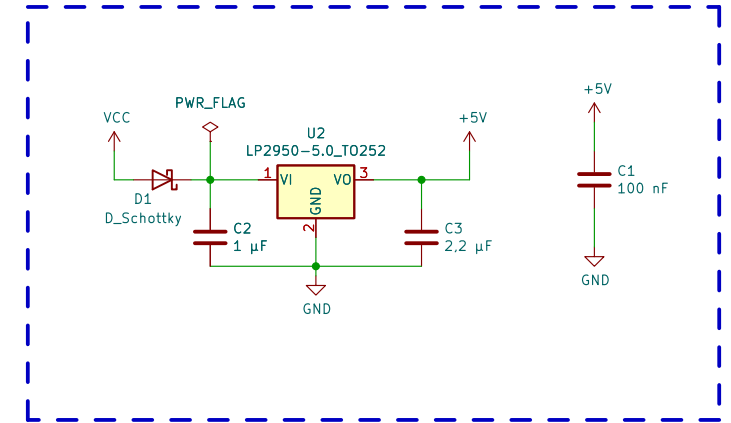


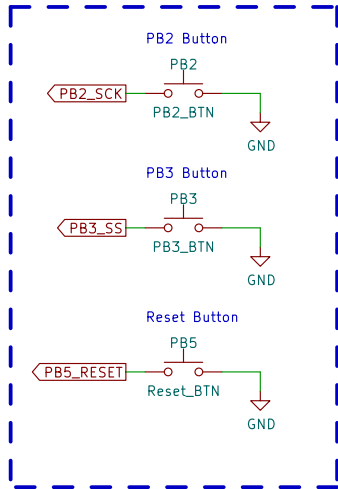
MCU and MCU Holder



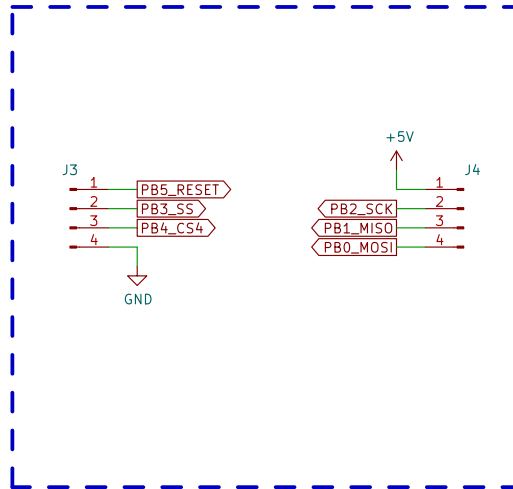
Voltage Regulator



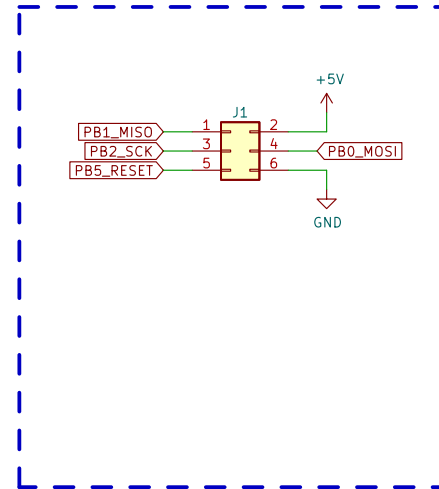
Buttons



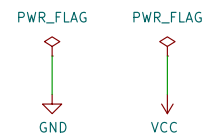
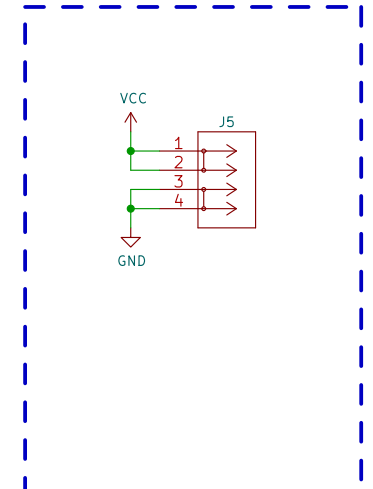
Pin Header



AVR ISP6 Connector



Power Connector



Häfele Services

Sheet: /
File: Attiny_Dev_Board.kicad_sch

Title: Attiny Dev-Board

Size: A4 Date: 2021-12-21
KiCad E.D.A. kicad 6.0.11-2627ca5db0-126-ubuntu20.04.1

Rev: 1.0
Id: 1/1